

EJOT® Iso-Corner

Approved fastening element for the planned retro-fitting of medium heavy to heavy attachments to ETICS facades

EJOT® Iso-Corner



Video of EJOT Iso-Corners:
<https://youtu.be/uJo7grLKqyA>

Product description

The EJOT Iso-Corner is an installation angle made of polyurethane hard foam for the planned attachment of add-on parts to ETIC systems.

Together with an anchor set that is tuned to the substrate, as well as an EJOT Delta PT 100 screw for fastening the attachment in the support element, this results in a perfectly coordinated fastening system on the installation angle.

Certifications



Application range

- > For the planned retro-fitting of medium heavy to heavy attachments to ETICS facades.

Application examples

- > Railings
- > Guardrails
- > Window and sliding shutters
- > Consoles, f.e. for air conditioning units

Benefits

- > One element / two installation surfaces
- > Cut to length at the job site – the perfect adaptation to the surface
- > Load application with a distance up to 20 mm to the installation surface permitted (bridging of non-load-bearing layers e. g. plaster)
- > High reliability and load-carrying capacity with this building authorities approved system
- > Reduces cold bridging through thermal decoupling
- > Can be combined with special Iso-Corner fastening kits (facade anchor or chemical anchor system)
- > Fixing the attachment with direct assembly: pre-drill / screw in / done
- > Variable screw position and number for highest flexibility / adjustment to the attachment

Technical data

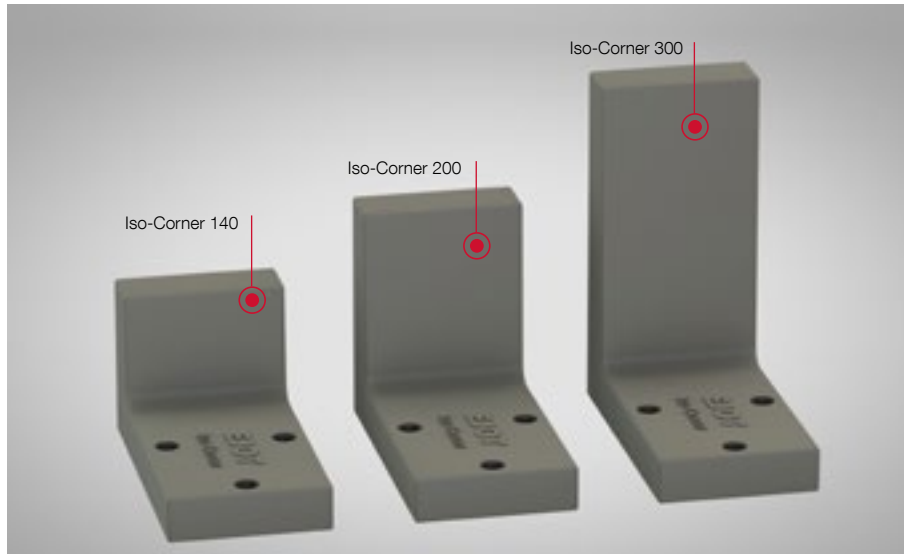
Base plate	140 x 270 mm
Total height EJOT Iso-Corner 140	140 mm
Total height EJOT Iso-Corner 200	200 mm
Total height EJOT Iso-Corner 300	300 mm

Included in delivery

Order description	PU [pieces]	Price/1 [EUR]	Articlen umber
Iso-Corner 140	1		8778140070
Iso-Corner 200	1		8778200070
Iso-Corner 300	1		8778300070

EJOT® Iso-Corner cut to length

Flexibly applicable, no matter what the thickness of the insulating material



Thanks to the option of cutting to length on site a streamlined production programme can be achieved.

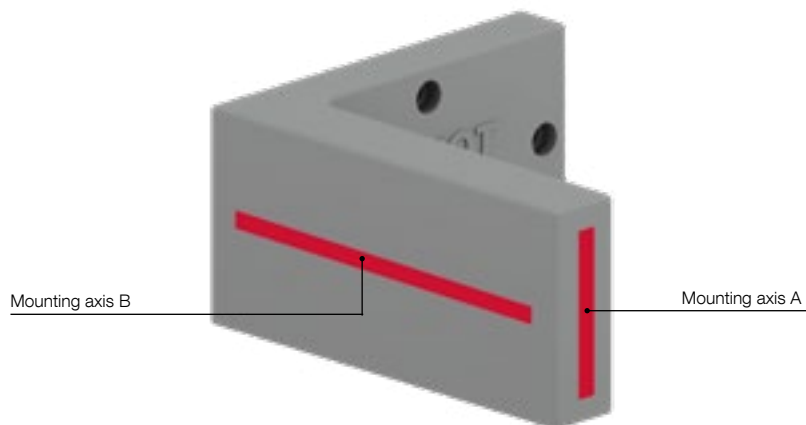
The EJOT Iso-Corner is available in three lengths and even more flexible to apply as a result.



Precise cutting of the EJOT Iso-Corner to length after the installation of the ETICS – can be implemented easily and flush to the upper edge of the insulation layer.

Attachment of add-on parts

Direct assembly of add-on parts with EJOT Delta PT 100x60

**Fixing:**

Flexible screw position and number long the axis while maintaining 20 mm edge distance:

**Option 1:**

Direct assembly on the installation axis of the front face of the EJOT Iso-Corner with EJOT Delta PT®

**Option 2:**

Direct assembly on the installation axis of the side of the EJOT Iso-Corner with EJOT Delta PT®

EJOT® Iso-Corner Set DELTA PT®

consisting of 2 pcs. EJOT Delta PT® 100x60/37 A4



Product description

The EJOT Delta PT® screw included in delivery has been the benchmark in the automotive industry for reliable and easy direct assembly into plastics for many years.

Application range

> For fastening add-on parts on EJOT Iso-Corner

Benefits

- > High load capacity direct fastening into plastic material
- > Direct assembly saves time and work steps
- > Easy installation
- > High fatigue strength
- > Safety due to high tensile and torsion strength as well as vibration resistance
- > A wide range of possible tightening torques

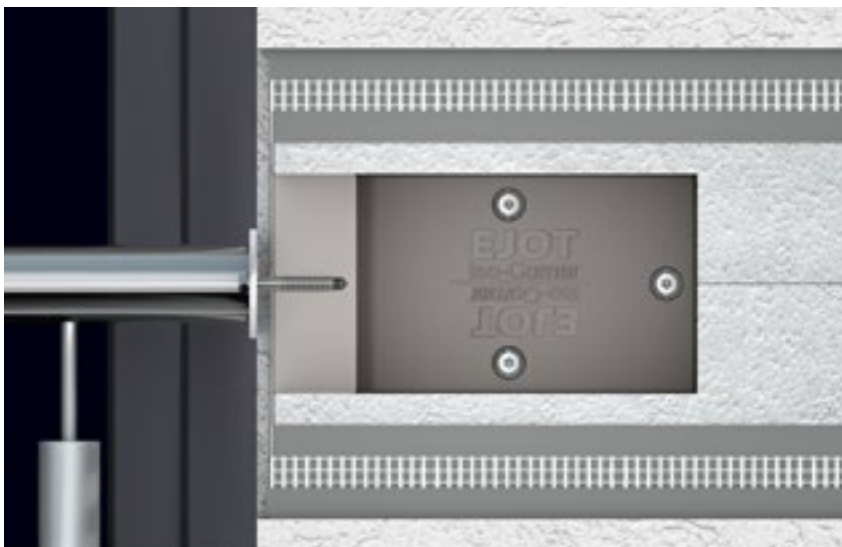
Technical data

Core hole Ø	8 mm
Drill hole depth	≥ 40 mm
Screw drive	SW13

Order description

Iso-Corner Set DELTA PT

PU [pieces]	Price/1 [EUR]	Article number
1		8 778000060



Load application

The load can be applied directly to the installation surface or at a distance up to 20 mm and distinguishes itself from „conventional add-on parts“ as a result.

Sufficient compressive strength for the barrier sheet has to be assured.

EJOT® Iso-Corner Kit SDF

consisting of 3 pcs. EJOT facade anchors SDF-KB-10H



Application range

- > For fastening the EJOT Iso-Corner to concrete, rain screens, solid and perforated brick masonry

Characteristics

- > Approved for all common building materials
- > Reliable hold in problematic building material thanks to optimised expansion part
- > Radial expansion for reliable hold
- > Cr VI-free coating of the screw
- > Double safety lock against torsion for secure installation

Assembly

- > Core-drill hole at a right angle to the surface of the installation substrate. Choice of drilling method according to approval.
- > The drill dust has to be removed from the hole.
- > Hole depth at least 10 mm larger than the embedment depth.
- > Push anchor sleeve in as far as the connecting surface in drill hole.
- > Strictly adhere to minimum embedment depth according to chart!
- > Screw enclosed special screw into the the anchor sleeve as far as the connecting surface.

Technical specifications



Certifications



Note

Please observe European Technical Approval ETA-10/0305 in the planning and processing of products. Further information about parameters and loads can be found in the approval.

Technical data

Hole depth in concrete $h_{1,1}$	≥ 80 mm
Effective Embedment depth h_{nom}	≥ 70 mm
Drill hole diameter d_0	10 mm

Characteristic loads

Tensile load $N_{Rk,p}$ in concrete C12/15	
Temperature range 30 °C / 50 °C	4.50 kN
Temperature range 50 °C / 80 °C	4.00 kN
Brick Mz 20-1.8, NF	4.00 kN
Solid sand-lime brick KS 36, NF	4.50 kN
Solid sand-lime brick KS 20, 8 DF	4.50 kN
Solid lightweight concrete brick V6, 2 DF	2.00 kN
Vertically perforated brick HLz 12-0.9, NF	2.00 kN
Perforated sand-lime brick KSL 12, 4 DF	2.50 kN
Cavity block made of lightweight concrete Hbl 10, 12 DF	1.20 kN
Transverse load $V_{Rk,s}$	
Anchor with steel screw	9.35 kN
Bending moment $M_{Rk,s}$	
Anchor with steel screw	17.67 Nm

Order description	PU [kit]	Price/1 [EUR]	Artikel number
Anchors with steel screws with zinc-plated Cr(VI)-free coating (-V)			
Iso-Corner Kit SDF 100	1		8513100423
Iso-Corner Kit SDF 120	1		8513120423
Iso-Corner Kit SDF 140	1		8513140423

Order description	Length [mm]	Tolerance compensation – non-load-bearing layers (adhesives, plasters, etc.) [mm]
Anchors with steel screws with zinc-plated Cr(VI)-free coating (-V)		
Iso-Corner Kit SDF 100	100	0*
Iso-Corner Kit SDF 120	120	0-20
Iso-Corner Kit SDF 140	140	20-40

*on flat surface areas

Accessories (optional)

Order description	PU [pieces]	Price/1 [EUR]	Artikel number
Blow-out pump 8 mm	1		9150300000
Cleaning brush 12	1		9150300012

EJOT® Iso-Corner Kit SDP

consisting of 3 pcs. EJOT facade anchors SDP-KB-10G



Application range

- > For fastening the EJOT Iso-Corner to aerated concrete

Characteristics

- > Facade anchor with two-stage screw
- > Reliable form-fit in the substrate thanks to combined expansion zones
- > High load capacity

Assembly

- > Core-drill hole at a right angle to the surface of the installation substrate. Choice of drilling method according to approval.
- > The drill dust has to be removed from the hole.
- > Hole depth at least 10 mm larger than the embedment depth.
- > Push anchor sleeve in as far as the connecting surface in drill hole.
- > Strictly adhere to minimum embedment depth according to chart!
- > Screw enclosed special screw into the the anchor sleeve as far as the connecting surface.

Technical specifications



Certifications



Note

For planning and processing, please observe approval ETA-12/0502.

Technical data

Drill hole depth $\geq t$	≥ 80 mm
Embedment depth $\geq h_v$	≥ 70 mm
Drill hole diameter d_0	10 mm

Characteristic values

Compressive strength aerated concrete [N/mm ²]	
Aerated concrete 2	0,75 kN
Aerated concrete 3	1,31 kN
Aerated concrete 4	1,87 kN
Aerated concrete 6	3,00 kN
Partial safety factor γ_{MAAC}	2,00
Characteristic Bending moment	
Steel screw	17,7 Nm / γ_{Ms} 1,50

Order description	\emptyset [mm]	Length [mm]	Tolerance compensation – non-load-bearing layers (adhesives, plasters, etc.) [mm]	PU [Kit]	Price/1 [EUR]	Artikel number
Anchors with steel screws with zinc-plated Cr(VI)-free coating (-V)						
Iso-Corner Kit SDP 100	10	100	0*	1		8532100423
Iso-Corner Kit SDP 120	10	120	0-20	1		8532120423
Iso-Corner Kit SDP 140	10	140	20-40	1		8532140423

*on flat surface areas

Accessories (optional)

Order description	PU [pieces]	Price/1 [EUR]	Artikel number
Blow-out pump 8 mm	1		9150300000
Cleaning brush 12	1		9150300012

Iso-Corner Kit Injektion

consisting of 3 pcs. anchor rods AST and 3 pcs. mesh sleeves USF

Anchor rod AST

approved for polyester and vinyl ester composite mortar



Application range

- > For embedment in concrete and solid brick
- > For embedment in perforated brick in combination with mesh sleeve

Characteristics AST Stahl

- > Anchor rod: strength grade 5.8 or 6.8 acc. to EN ISO 898-1
- > Nut: strength grade 5 or 6 acc. to EN 20898-2
- > Washer: acc. to EN ISO 7089

Note

To determine the characteristic load capacity in concrete, approval ETA-16/0107 has to be considered. To determine the characteristic load capacity in solid and perforated brick, approval ETA-16/0089 has to be considered.

Characteristic values

Embedment depth h_{ef}	
Concrete	≥ 60 mm
Solid brick masonry	90 mm
Perforated brick masonry*	85 mm
Drill hole diameter d_0	
Concrete	12 mm
Solid brick masonry	12 mm
Perforated brick masonry*	16 mm

*When using the mesh sleeve USF 16x85

Order description	PU [Kit]	Price /1 [EUR]	Article number
Iso-Corner Kit Injektion consisting of 3 pcs. anchor rods AST M10x170-V and 3 pcs. mesh sleeves USF 16x85	1		8778000170

Mesh sleeve USF



Application range

- > For embedment in perforated brick

Characteristics

- > Guarantees exact calibration of threaded rod

Certifications



Note

Please observe the corresponding approvals during planning and processing.

Accessories (optional)

Order description	Application	PU [pieces]	Price/1 [EUR]	Article number
Applicator gun AP 300 ml		1		9570010300
Blow-out pump 8 mm		1		9150300000
Cleaning brush 14	without mesh sleeve	1		9150300014
Cleaning brush 18	with mesh sleeve	1		9150300018

Mortar cartridge USF

Vinyl resin, styrene-free



Application range

- > For installation in cracked concrete (option 1) and non-cracked concrete (option 7) (ETA-16/0107)
- > For installation in masonry (ETA-16/0089)
- > For installation in natural stone (without approval)

Benefits

- > Processing with common applicator gun possible
- > Can be used in wet concrete and water-filled drill holes
- > Delivery including mixing nozzle

Note

Please observe the corresponding approvals during planning and processing.

Winter version upon request

Technical specifications

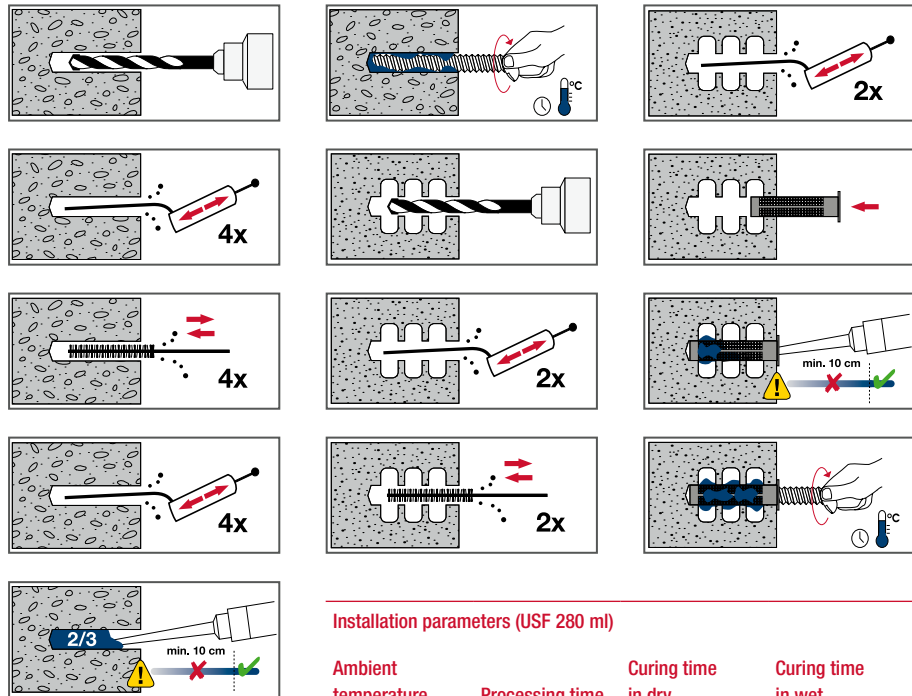
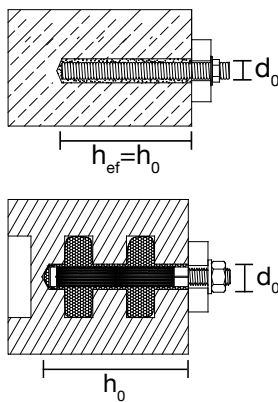


Certifications



Video of EJOT Iso-Corners:

<https://www.youtube.com/watch?v=SZ74JAt5Apc>



Installation parameters (USF 280 ml)

Ambient temperature [°C]	Processing time	Curing time in dry weather	Curing time in wet weather
-10*	1h 30'	24h	48h
≥ -5	1h 30'	14h	28h
≥ 0	45'	7h	14h
≥ +5	25'	2h	4h
≥ +10	15'	1h 20'	2h 40'
≥ +20	6'	45'	1h 30'
≥ +30	4'	25'	50'
≥ +35	2'	20'	40'
+40	1,5'	15'	30'

*Min. cartridge temperature +15 °C

Installation parameters

Anchor rod	d ₀ [mm]	h _{ef} = h ₀ min - max [mm]
M10	12	60 - 200

Installation parameters / consumption in perforated building materials*

Mesh sleeve	Anchor rod	d ₀ [mm]	h ₀ [mm]	Number of fills
USF 16x85	M10	16	90	11

*Filling of the mesh sleeve complete + 15%

Order description

Order description	Content [ml]	PU [pieces]	Price/1 [EUR]	Article number
Mortar cartridge	280	1		9571000280

T-FAST® Holzbauschraube JW2-STS-8,0xL

consisting of 3 pcs. woodscrew EJOT T-FAST® JW2-STS-8



Video of EJOT Iso-Corners:
<https://youtu.be/uJo7grLKqyA>

Application range

- > Fixing EJOT Iso-Corner onto timber substrates

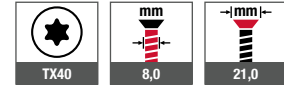
Characteristics

- > Carbon steel with zinc-plated surface
- > Plate increases the pulling power
- > Partial thread with milling ribs at the transition to the non-threaded part reduces the installation torque and simplifies the installation process
- > Optimised thread geometry for extremely fast processing
- > Aggressive tip attack ensures a firm grip in the timber

Note

Please note the European Technical Approval ETA-18/0812 in your planning and the processing of the products. Further information about parameters and loads can be found in the approval.

Technical specifications



Certifications



EJOT Iso-Corner

Approved fastening product for planned installation of medium heavy to heavy attachments to ETICS facades

Technical specifications

Diameter	8,0 mm
Head diameter	20 mm
Screw-in-depth	40 mm

Order description	Ø [mm]	Length [mm]	Gewindelänge [mm]	PU [Kit]	Price/1 [EUR]	Article number
Iso-Corner Kit T-FAST 80	8	80	48	1		8778000080
Iso-Corner Kit T-FAST 100	8	100	80	1		8778000100

Iso-Corner

Order description	PU [pieces]	Article number
Iso-Corner 140	1	8778140070
Iso-Corner 200	1	8778200070
Iso-Corner 300	1	8778300070
Iso-Corner Set DELTA PT	1	8778000060

Accessories

Order description	Ø [mm]	Anchor length L [mm]	Tolerance compensation – non-load-bearing layers (adhesives, plasters, etc.) [mm]	PU [Kit]	Article number
Anchors with steel screws with zinc-plated Cr(VI)-free coating (-V)					
Iso-Corner Kit SDF 100	10	100	0*	1	8513100423
Iso-Corner Kit SDF 120	10	120	0 - 20	1	8513120423
Iso-Corner Kit SDF 140	10	140	20 - 40	1	8513140423

*on flat surface areas

Order description	Ø [mm]	Anchor length L [mm]	Tolerance compensation – non-load-bearing layers (adhesives, plasters, etc.) [mm]	PU [Kit]	Article number
Anchors with steel screws with zinc-plated Cr(VI)-free coating (-V)					
Iso-Corner Kit SDP 100	10	100	0*	1	8532100423
Iso-Corner Kit SDP 120	10	120	0 - 20	1	8532120423
Iso-Corner Kit SDP 140	10	140	20 - 40	1	8532140423

*on flat surface areas

Order description	Ø [mm]	Screw length L [mm]	Tolerance compensation – non-load-bearing layers [mm]	PU [Kit]	Article number
Iso-Corner Kit T-FAST 80	8	80	bis max. 10	1	8778000080
Iso-Corner Kit T-FAST 100	8	100	bis max. 30	1	8778000100

Order description	PU [Kit]	Article number
Iso-Corner Kit Injection consisting of 3 pcs. anchor rods AST M10x170-V and 3 pcs. mesh sleeves USF 16x85	1	8778000170

Order description	Content [ml]	Composite mortar	PU [pieces]	Article number
Multifix USF 280 ml	280	Vinylharz, styrolfrei	1	9571000280

Optional accessories

Order description	Applications	PU [pieces]	Artikelnummer
Applicator gun AP 300 ml		1	9570010300
Blow-out pump 8 mm		1	9150300000
Cleaning brush 12	Fassadendübel	1	9150300012
Cleaning brush 14	ohne Siebhülse	1	9150300014
Cleaning brush 18	mit Siebhülse	1	9150300018



EJOT SE & Co. KG

Market Unit Construction

In der Stockwiese 35

57334 Bad Laasphe

T +49 2752 908-0

F +49 2752 908-731

bau@ejot.com

www.ejot.de/bau